

TOTO®

MS634164CEF(G)

Supreme® II One-Piece High-Efficiency Toilet, 1.28GPF

FEATURES

- Double Cyclone® flushing system, low consumption (1.28GPF/4.8LPF)
- SanaGloss® ceramic glaze - prevents debris and mold from sticking to ceramic surfaces, leading to fewer chemicals and less water in cleaning (not avail on Ebony #51.)
- Universal Height
- Decorative one-piece design with low-profile tank
- Elongated front bowl with SoftClose® seat (SS164)
- Chrome trip lever

MODELS

- MS634164CEFG
With SanaGloss ceramic glaze, SS164 SoftClose seat included
- MS634164CEF
Less SanaGloss, SS164 SoftClose seat included

COLORS/FINISHES

- Standard
 - #01 Cotton
 - #03 Bone
 - #11 Colonial White
 - #12 Sedona Beige
 - #51 Ebony (not available in SanaGloss)

PRODUCT SPECIFICATION

The one-piece high-efficiency double cyclone flushing system toilet shall be 1.28GPF/4.8LPF. Toilet shall have optional SanaGloss ceramic glaze and be at Universal Height. Toilet shall have low-profile tank, elongated front bowl with SoftClose seat and Chrome trip lever. Toilet shall be TOTO Model MS634164CEF _____.



SanaGloss

CYCLONE®
FLUSHING SYSTEM BY TOTO

CODES/STANDARDS

- Meets or exceeds ASME A112.19.2/CSA B45.1
- Certifications: IAPMO(cUPC), EPA Watersense, State of Massachusetts, City of Los Angeles, and others
- Code compliance: UPC, IPC, NSPC, NPC Canada, and others
- Legislative Compliance: California AB715, California Green Building Code, City of Los Angeles Water Efficiency Ordinance
- ADA compliant (when installed with trip lever located on the approach side)



MS634164CEF(G)

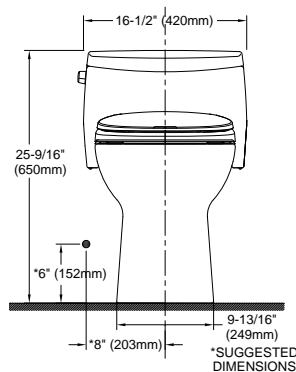
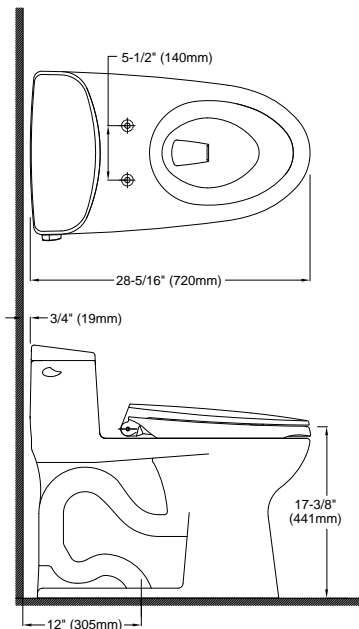
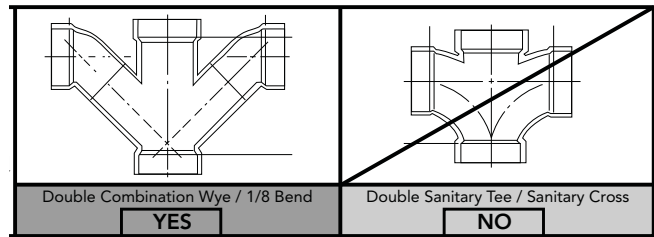
Supreme® II One-Piece High-Efficiency Toilet, 1.28GPF

SPECIFICATIONS

- Water Use 1.28 GPF/4.8LPF
- Flush System Double Cyclone
- Min. Water Pressure 8 psi (flowing)
- Water Surface 7-1/8" x 9-1/8"
- Trap Diameter 2-1/8"
- Rough-in 12"
- Trap Seal 2-1/8"
- Warranty One Year Limited Warranty
- Material Vitreous china
- Shipping Weight 104 lbs.
- Shipping Dimensions 29-1/2" L x 18" W x 19-1/4" H¹ x 27-1/8" H²

INSTALLATION NOTES

Back-to-Back Toilet Installations:
 TOTO recommends the use of a nationally listed, double sanitary tee-wye only, in vertical waste stacks, in accordance with the stipulations noted in the majority of nationally recognized plumbing codes.



These dimensions and specifications are subject to change without notice