



BARRIER FREE

GLENWALL™ PRESSURE-ASSISTED TOILET

2093.100

- Vitreous china
- Low-consumption (6.0 Lpf/1.6 gpf)
- **Wall-mounted, back-outlet toilet**
- Elongated bowl
- Fully-glazed 2" ballpass trapway
- 10" x 12" water surface area
- Pressure-assisted siphon jet action
- Side-mounted chrome trip lever
- Close-coupled flushometer tank*
- Speed Connect™ tank/bowl coupling system
- Sanitary bar on bowl

- 3402.016** Bowl
- 4098.100** Tank

Nominal Dimensions:
29-1/2" x 19-1/2" x 30"
(749 x 495 x 762mm)

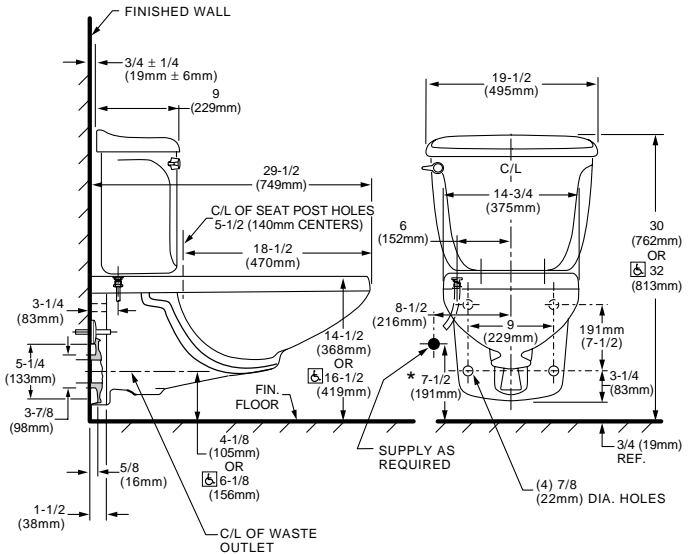
Recommended working pressure range
20 psi - 80 psi

Alternate Configurations Available

- 4098.700** Tank and tank cover only
w/tank cover locking device
- 4098.800** Tank and tank cover only
w/right hand trip lever

**Compliance Certifications -
Meets or Exceeds the Following Specifications:**

- ASME A112.19.2M (and 19.6M) for Vitreous China Fixtures - includes Flush Performance, Ball Pass Diameter, Trap Seal Depth and all Dimensions



To Be Specified

- Color:
- Seat: American Standard #5324.019 "Rise and Shine" (with easy to clean lift-off hinge system) solid plastic closed front seat with cover. See page TB-001.
- Seat: American Standard #5311.012 "Laurel" molded closed front seat with cover. See page TB-001.
- Alternate Seat:
- Supply with stop:

NOTES:
WASTE OUTLET SEAL RING MUST BE NEOPRENE OR GRAPHITE-FELT (WAX RING NOT RECOMMENDED)
SUGGEST 1/16" CLEARANCE BETWEEN FACE AT WALL AND BACK OF BOWL.
CARRIER FITTING AS REQUIRED TO BE FIGURED AND FURNISHED BY OTHERS.
PROVIDE SUITABLE REINFORCEMENT FOR ALL SUPPORTS.
SUPPLY NOT INCLUDED WITH FIXTURE AND MUST BE ORDERED SEPARATELY.
* DIMENSION SHOWN FOR LOCATION OF SUPPLY IS SUGGESTED.
FOR ADDITIONAL INFORMATION REFER TO INSTALLATION INSTRUCTIONS SUPPLIED.
IMPORTANT: Dimensions of fixtures are nominal and may vary within the range of tolerance established by ANSI Standard A112.19.2
These measurements are subject to change or cancellation. No responsibility is assumed for use of superseded or voided pages.

* Flushmate III tank system by Flushmate® Div. of Sloan Valve Co.