



Maxwell® 1.28 Wall Hung, Elongated Back Outlet Toilet

Features:

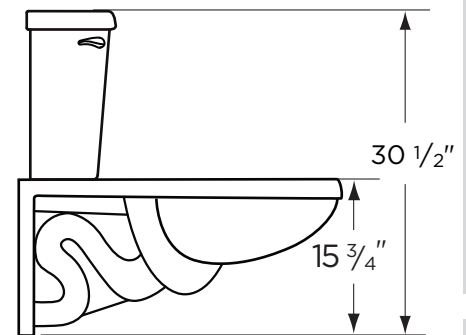
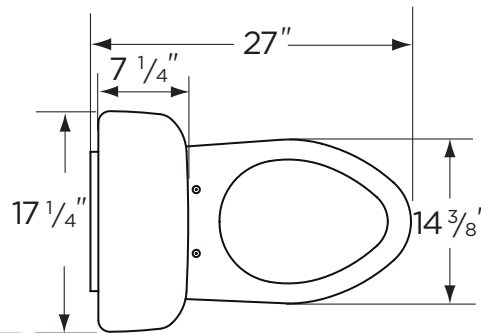
- 1.28 gpf/4.8 Lpf high efficiency two-piece toilet
- Wall hung back outlet
- Elongated bowl
- Dual-fed siphon jet
- Pilot fill valve
- 3" flush valve
- Color matched tank lever
- Available in white
- ADA compliant

Dimensions:

- Height 30 1/2"
- Width 17 1/4"
- Depth 27"
- Rough-in 4"
- Water Surface from Rim 5 1/4"
- Trapway (min) 1 3/4"
- Water Surface 9 7/8" x 7 1/4"
- Water Seal 2 5/8"
- Shipping Weight 80 lbs



Specifications: Bowl — #21-970 Elongated Tank — #28-970
Seat not included



THIS FIXTURE QUALIFIES ACCORDING TO ASME TEST PROCEDURES AS A HIGH EFFICIENCY WATER CLOSET WITH AN AVERAGE CONSUMPTION OF 1.28 gpf (4.8 Lpf) OR LESS.

Job Name	
Date	
Model Specified	
Quantity	
Customer	
Contractor	
Architect/engineer	

www.gerberonline.com



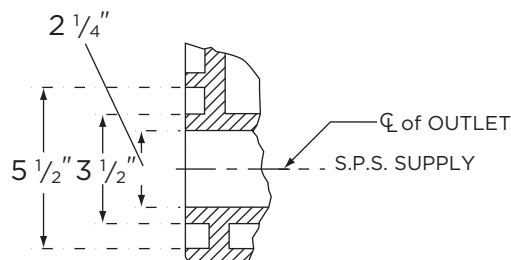
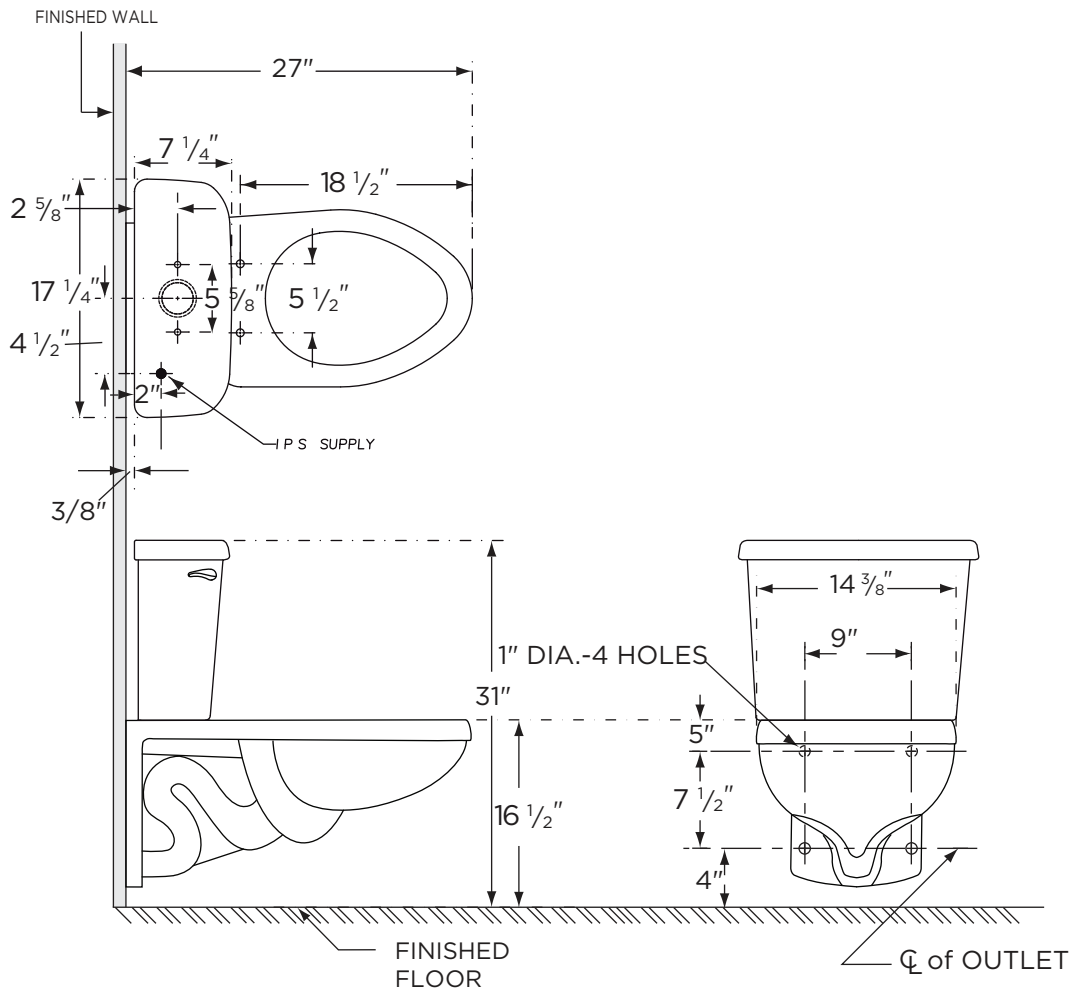
GERBER

1.28 gpf (4.8 Lpf) MAXWELL® TOILET

20-021

Wall Hung, Elongated Back Outlet

(Bowl 21-970 with Tank 28-970)



NOTES:

All dimensions are in inches.

Illustrations may not be drawn to scale.

IMPORTANT:

Dimensions of fixtures are nominal and may vary within the range of tolerances established by ASME Standard A 112.19.2.

THIS FIXTURE QUALIFIES ACCORDING TO ASME TEST PROCEDURES AS A HIGH EFFICIENCY WATER CLOSET WITH AN AVERAGE CONSUMPTION OF 1.28 gpf (4.8 Lpf) OR LESS.