



VITREOUS CHINA

TOILET
21-302

LAVATORIES

TOILETS

BIDETS / URINALS

CAST IRON

ULTRA FLUSH® Pressure-Assist Toilet Round Front

12" Rough-in



Features:

- Low Consumption 1.6 gpf (6.0 Lpf)
- Round Front Bowl
- Pressurized Flushing Action
- Close Coupled Flushometer Tank
- Optional Right-handed Trip Lever Available
- Siphon Jet
- Front Tank Lever
- 2 Bolt Caps

Dimensions:

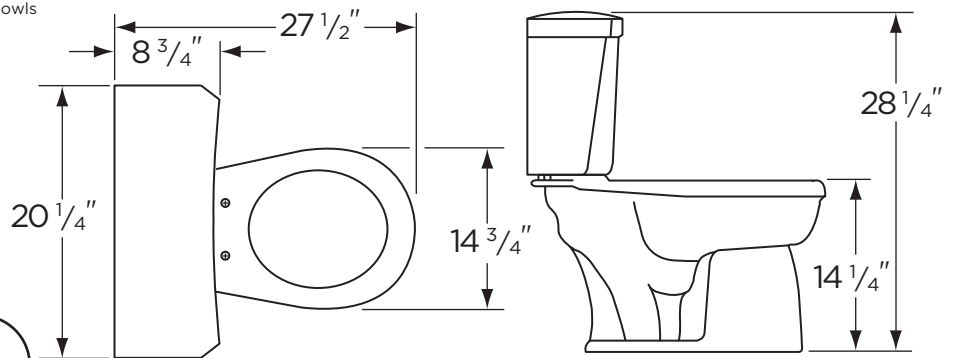
- Height 28 1/4"
- Width 20 1/4"
- Depth 27 1/2"
- Rough-in 12"
- Water Surface from Rim ... 4 5/8"
- Trapway (ave)* 3 1/8"
- Trapway (min) 2"
- Water Surface..... 12" x 10"
- Water Seal 2 1/2"
- Shipping Weight 88 lbs



Specifications: Bowl—#21-342 Round Front
Seat not included

Tank—#28-380

*Average diameter of 26 equally spaced points throughout the trapway of 3 randomly selected bowls



THIS FIXTURE QUALIFIES ACCORDING TO ASME TEST PROCEDURES AS A LOW CONSUMPTION WATER CLOSET WITH AN AVERAGE CONSUMPTION OF 1.6 GAL. OR LESS.



www.gerberonline.com

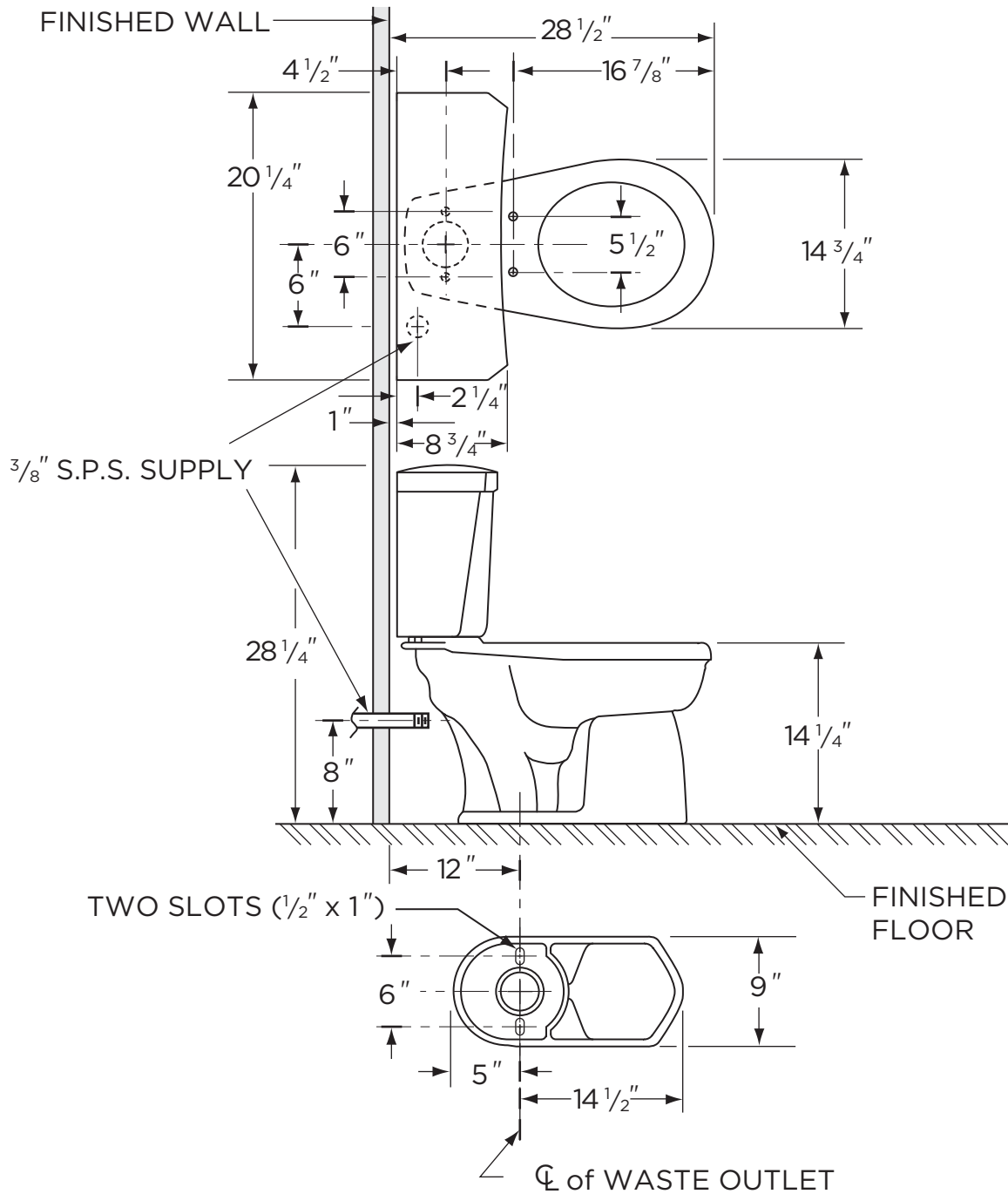
Job Name	
Date	
Model Specified	
Quantity	
Customer	
Contractor	
Architect/engineer	



1.6 gpf (6 Lpf) LOW CONSUMPTION ULTRA FLUSH® TOILET

21-302

Round Front, 12" Rough-in
(Bowl 21-342 with Tank 28-380)



NOTES:
All dimensions are in inches.

Illustrations may not be drawn to scale.

IMPORTANT:

Dimensions of fixtures are nominal and may vary within the range of tolerances established by ASME Standard A 112.19.2.

THIS FIXTURE QUALIFIES ACCORDING TO ASME TEST PROCEDURES AS A LOW CONSUMPTION WATER CLOSET WITH AN AVERAGE CONSUMPTION OF 1.6 gpf (6 Lpf) OR LESS.