

# TOTO®

# CST744E(G)(R)(B)

## Eco Drake® Close Coupled Toilet, 1.28GPF

### FEATURES

- E-Max® flushing system
- Optional CeFiONtect™ ceramic glaze - prevents debris, and mold from sticking to ceramic surfaces, leading to fewer chemicals.
- Close coupled commercial grade, high performance toilet
- Elongated front bowl and tank set, less seat
- 12" Rough-in, less supply

### MODELS

- CST744EG with CeFiONtect (#01 only)
- CST744E  
Same as above less CeFiONtect (#01, #03, #11, #12 #51)
- CST744EB  
Same as above less CeFiONtect, with bolt-down lid (#01)
- CST744ERG  
with CeFiONtect (#01) and right hand trip lever
- CST744ER  
Same as above less CeFiONtect (#01 only) and right hand trip lever
- CST744ERB\*  
Same as CST744ER with right hand trip lever and bolt-down tank lid (special order) (#01 only)

### COMPONENTS

- C744EG - Elongated Front Bowl with CeFiONtect
- C744E - Elongated Front Bowl less CeFiONtect
- ST743E - Tank and Cover only - Left-hand trip lever
- ST743ERB - Tank and Cover only - bolt-down lid (#01 only)
- ST743ER - Tank and Cover only - Right-hand trip lever
- ST743ERB - Tank and Cover only - Right-hand trip lever and bolt-down lid (#01 Cotton only)
- SS114 SoftClose® seat (sold separately)
- SC134 Commercial seat (sold separately)
- SC534 Commercial seat (sold separately)

### COLORS/FINISHES


- #01 Cotton
- #03 Bone
- #11 Colonial White
- #12 Sedona Beige
- #51 Ebony

### PRODUCT SPECIFICATION

The two-piece E-Max flushing system toilet shall be 1.28GPF/4.8LPF. Toilet shall have high-profile tank, elongated front bowl and chrome trip lever. Toilet shall be TOTO Model CST744E\_\_\_\_\_.



 **CeFiONtect**

 **E+ E-Max**

### CODES/STANDARDS

- Meets and exceeds ASME A112.19.2/CSA B45.1
- Certifications: IAPMO(cUPC), EPA Watersense, State of Massachusetts, City of Los Angeles, and others
- Code compliance: UPC, IPC, NSPC, NPC Canada, and others
- Legislative compliance: California AB715, California Green Building Code, City of Los Angeles Water Efficiency Ordinance



# CST744E(G)(R)(B)

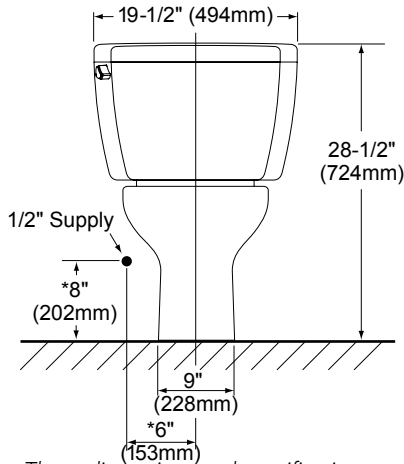
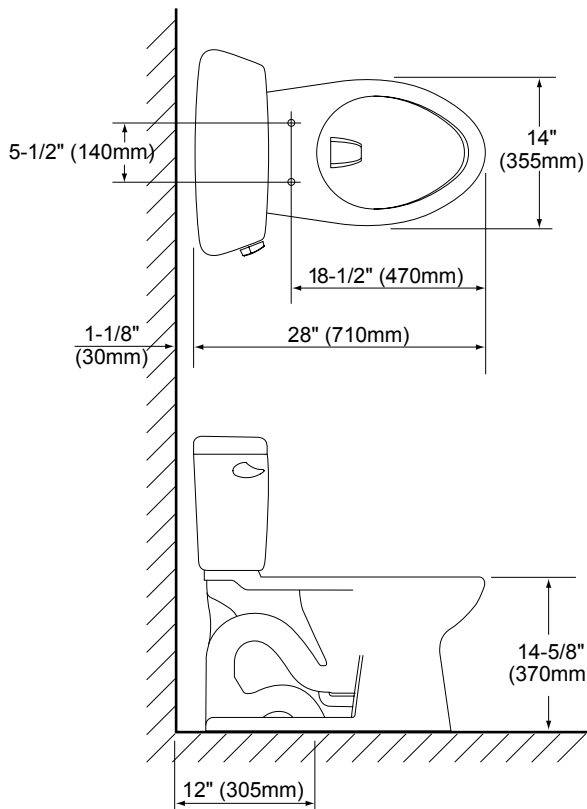
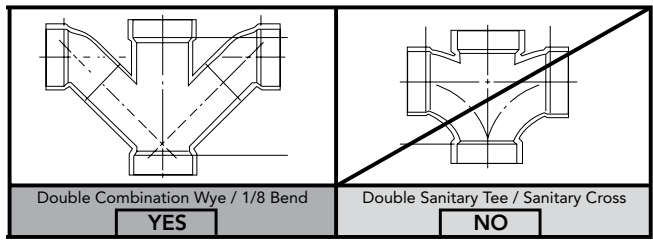
## Eco Drake® Close Coupled Toilet, 1.28GPF

### SPECIFICATIONS

- Water Use 1.28 GPF/4.8LPF
- Flush System E-Max®
- Min. Water Pressure 8 psi (static)
- Water Surface 10-1/4" x 8-1/2"
- Trap Diameter 2-1/8"
- Rough-in 12"
- Trap Seal 2-3/8"
- Warranty One Year Limited Warranty
- Material Vitreous china
- Shipping Weight C744E(G) - 52lbs  
ST743E(R)(B) - 35lbs
- Shipping Dimensions C744E(G)  
29-1/2" L x 16" W1  
x 10-1/4" W2 x 18-1/4" H  
  
ST743E(R)(B)  
20-1/8" L x 8-1/4" W  
x 15-1/2" H

### INSTALLATION NOTES

Back-to-Back Toilet Installations:  
TOTO recommends the use of a nationally listed, double sanitary tee-wye only, in vertical waste stacks, in accordance with the stipulations noted in the majority of nationally recognized plumbing codes.



*These dimensions and specifications are subject to change without notice*

**TOTO®**