

# INSTALLATION INSTRUCTIONS

## CADET 1.6 GPF TWO-PIECE PRESSURE-ASSISTED TOILETS

- Model 2333 Elongated
- Model 2366 Round Front
- Model 2377 Elongated - 16-1/2" High Bowl



Thank you for selecting American Standard - the benchmark of fine quality for over 100 years. To ensure this product is installed properly, please read these instructions carefully before you begin. (Certain installations may require professional help.) Also be sure your installation conforms to local codes.

**CAUTION: PRODUCT IS FRAGILE. TO AVOID BREAKAGE AND POSSIBLE INJURY HANDLE WITH CARE!**

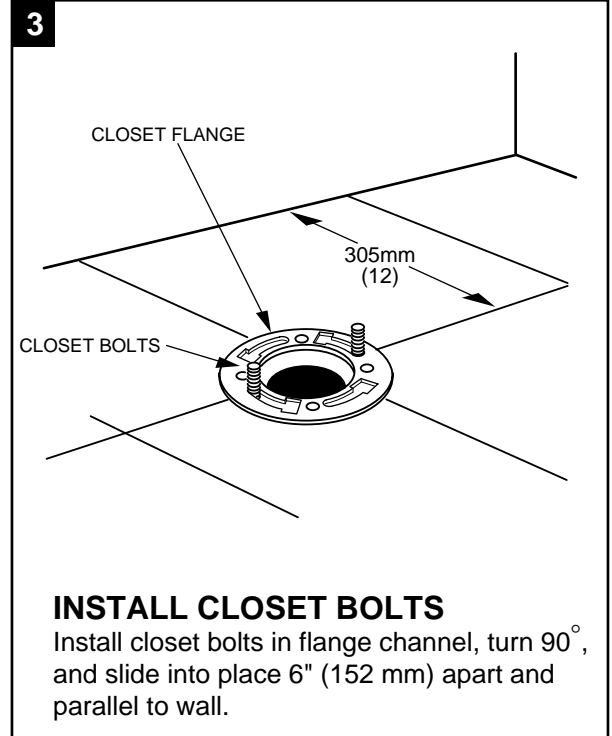
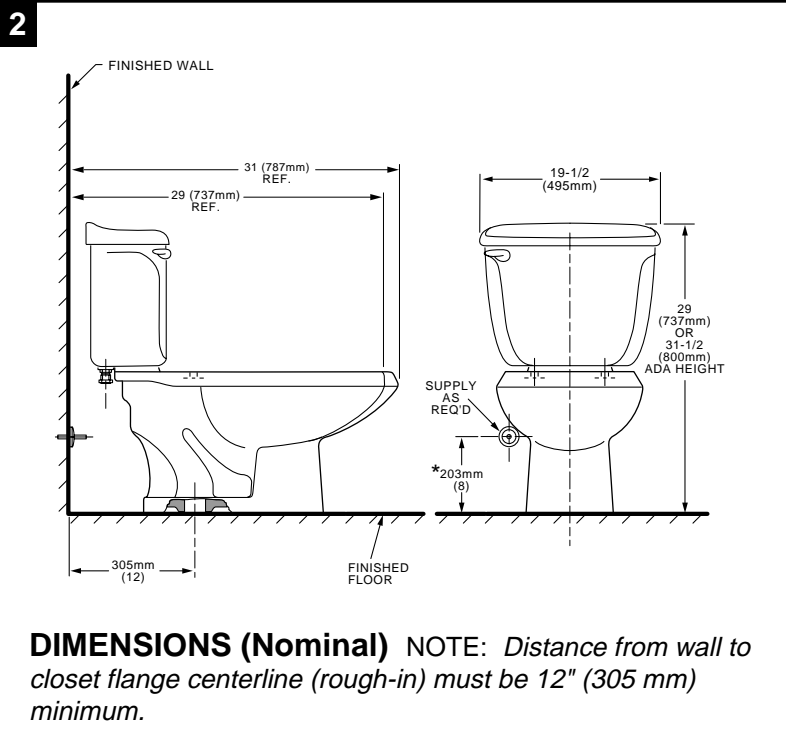
NOTE: For proper operation these products require a minimum of 20 psi line pressure

### RECOMMENDED TOOLS AND MATERIALS

Putty Knife	Regular Screwdriver	Adjustable Wrench	Sealant	Tape Measure
Hacksaw	Wax Ring/Gasket	Flexible Supply Tube	Closet Bolts	Carpenters Level

### 1 REMOVE OLD TOILET

- a. Close toilet supply valve and flush tank completely. Towel or sponge remaining water from tank and bowl.
  - b. Disconnect and remove supply line. NOTE: *If replacing valve, first shut off main water supply!*
  - c. Remove old mounting hardware, remove toilet and plug floor waste opening to prevent escaping sewer gases.
  - d. Remove closet bolts from flange and clean away old wax, putty, etc. from base area.
- NOTE: *Mounting surface must be clean and level before new toilet is installed!*



*American Standard*

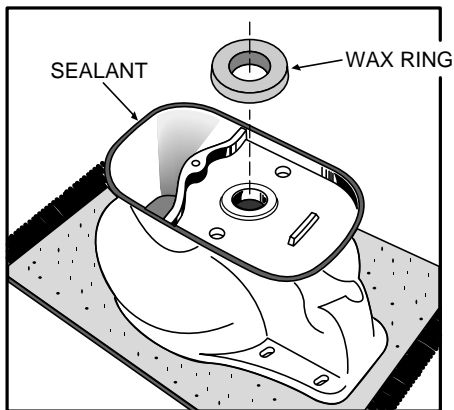
*Ideal Standard*

*Incesa Standard*

*Sadona Standard*

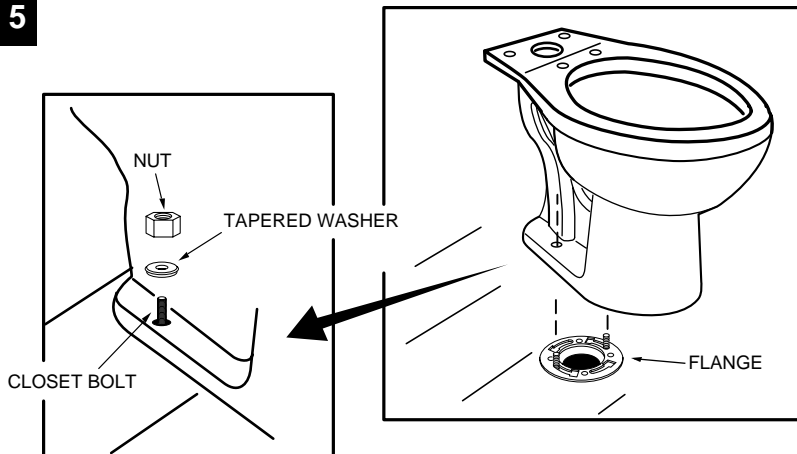
*Cedelca*

Saniwares

**4**

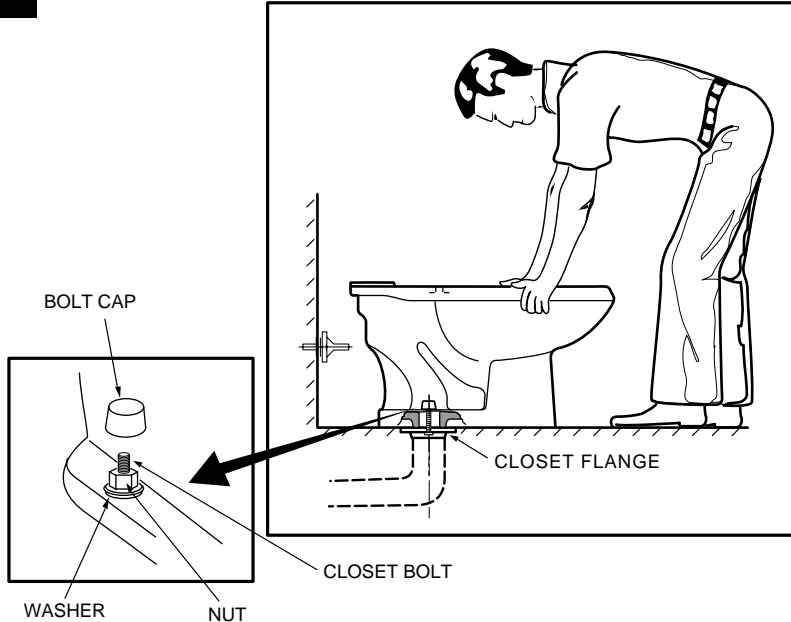
### INSTALL WAX SEAL

Invert toilet on floor (cushion to prevent damage), and install wax ring evenly around waste flange (horn), with tapered end of ring facing toilet. Apply a thin bead of sealant around base flange.

**5**

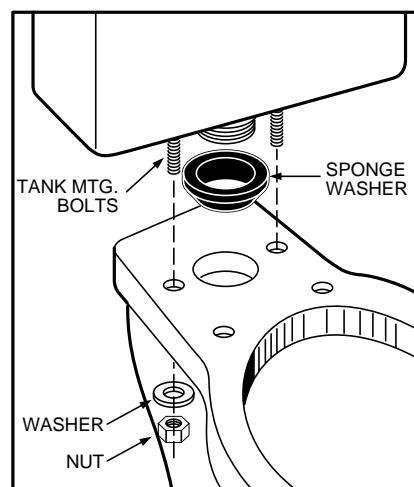
### INSTALL TOILET ON FLANGE

- Unplug floor waste opening and install toilet on closet flange so bolts project through mounting holes.
- Loosely install retainer washers and nuts. Side of washers marked "THIS SIDE UP" *must* face up!

**6**

### INSTALL TOILET

- Position toilet squarely to wall and, with a rocking motion, press bowl down fully on wax ring and flange. Alternately tighten nuts until toilet is firmly seated on floor.
  - ▲ **CAUTION: DO NOT OVERTIGHTEN NUTS OR BASE MAY BE DAMAGED!**
- Install caps on washers. (If necessary, cut bolt height to size before installing caps.)
- Smooth off the bead of sealant around base. Remove excess sealant.

**7**

### INSTALL TANK

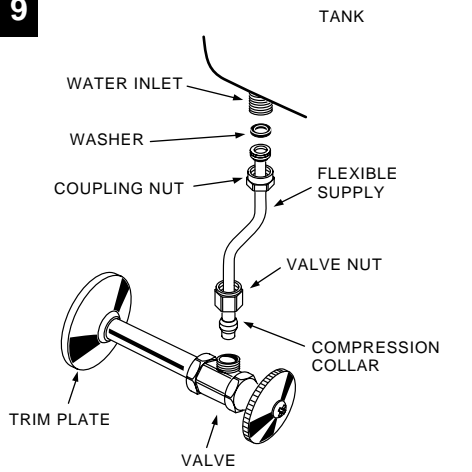
- Install large rubber gasket over threaded outlet on bottom of tank and lower tank onto bowl so that tapered end of gasket fits evenly into bowl water inlet opening, and tank mounting bolts go through mounting holes. Secure with metal washers and nuts.
- With tank parallel to wall, alternately tighten nuts until tank is snugged down evenly against bowl surface.

▲ **CAUTION: DO NOT OVERTIGHTEN NUTS MORE THAN REQUIRED FOR A SNUG FIT!**

**8**

**INSTALL TOILET SEAT** Install toilet seat in accordance with manufacturer's directions.

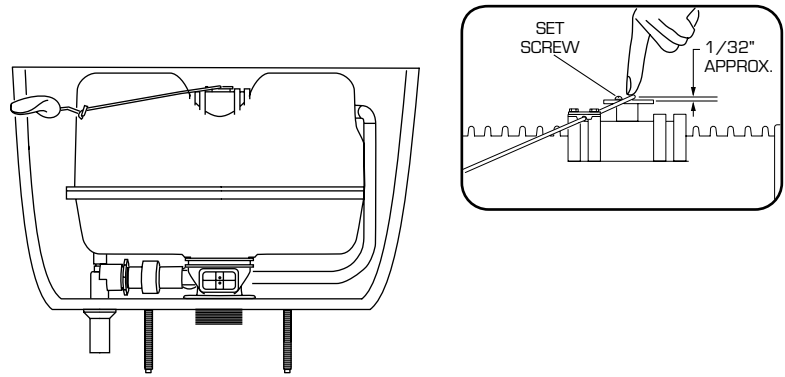
9



**CONNECT WATER SUPPLY**

- a. Connect water supply line between shutoff valve and tank water inlet fitting. Tighten coupling nuts securely.
- b. Turn on supply valve and allow flushometer tank to fill.
- c. Check for leakage at fittings, tighten or correct as needed.

10



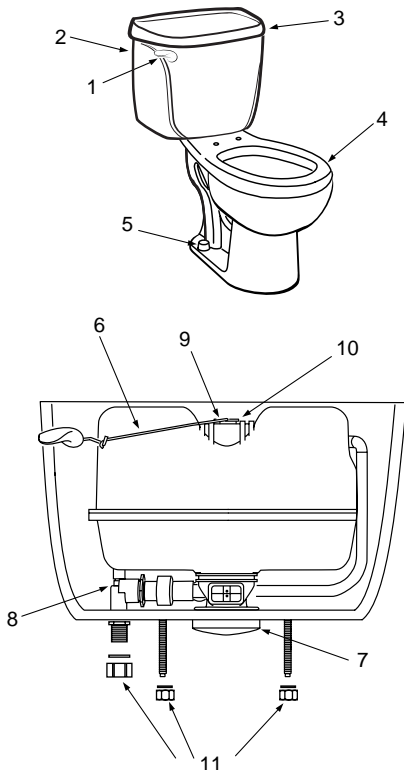
**ADJUSTMENTS**

The flushometer tank is designed and factory-adjusted to provide a consistent, safe seal depth in the bowl after each flush. Field refill adjustment is not required. The refill has been preset and locked.

**FLUSH ACTUATOR ADJUSTMENT** - The spacing between the bellcrank and flush actuator may be adjusted to assure positive operation of the trip lever. Proceed as follows:

- a. Remove tank cover and check that there is approximately 1/32" (0.8mm) gap between the top of the actuator and bottom of the spring rod when it is lifted to remove slack from linkage.
- b. If necessary, loosen set screw in actuator cap and turn cap to increase gap (clockwise) or decrease gap (counterclockwise), as needed.
- c. Tighten setscrew securely after adjustment is completed. Replace tank cover.

11



**REPAIR PARTS LIST**

NOTE: "XXX" and "YYY" represent color or trim finish options. Specify when ordering.

ITEM	PART NO.	DESCRIPTION	QTY
1	738473-YYY0A	TRIP LEVER-LH	1
	738494-YYY0A	TRIP LEVER-RH	1
2	4098.100	TANK (COMPLETE WITH COUPLING COMPONENTS AND TANK TRIM)	1
3	735083-400	• TANK COVER	1
4	3099.016	BOWL, ELONGATED	1
	3083.016	BOWL, ROUND FRONT	1
	3109.016	BOWL, ELONGATED 16-1/2"H	1
5	034783-XXX0A	• BOLT CAP COVER KIT (INCL TWO COVERS/WASHERS)	1
6	738493-0070A	SPRING ROD ASSEMBLY-LH	1
	738495-0070A	SPRING ROD ASSEMBLY-RH	1
7	004602-0070A	COUPLING GASKET	1
8	738496-0070A	LOWER SUPPLY ASSEMBLY (35 PSI)	1
9	047562-0070A	UPPER SUPPLY ASSEMBLY	1
10	047563-0070A	VALVE CARTRIDGE ASSEMBLY	1
11	730292-0070A	TANK COUPLING KIT	1

**12 CARE AND CLEANING**

When cleaning your toilet, wash it with mild, soapy water, rinse thoroughly with clear water and dry with a soft cloth. Avoid detergents, disinfectants, or cleaning products in aerosol cans. NEVER use abrasive scouring powders or abrasive pads on your toilet seat. Some bathroom chemicals and cosmetics may damage the seat's finish.

## TROUBLESHOOTING GUIDE

**NOTE:** The presence of a small amount of water in the bottom of the tank is normal. The air inducer is designed to leak for short periods during each flush cycle as a self-cleaning action. Dripping is drained into the bowl. If used on water system containing excessive sand and/or debris, a periodic cleanup of inlet strainer is recommended. (See enclosed instructions for strainer cleaning.)

### **WARNING**

When servicing or replacing components of the flushometer tank system, be sure that the water supply is shut off and the toilet is flushed to relieve pressure in the flushometer tank.  
For service of the Flushometer Tank System, see enclosed literature.

PROBLEM	POSSIBLE CAUSE	CORRECTIVE ACTION
Does not flush	<ul style="list-style-type: none"> <li>a. Water supply valve closed.</li> <li>b. Flush actuator incorrectly set.</li> <li>c. Supply line blocked.</li> <li>d. Trip lever linkage damaged.</li> </ul>	<ul style="list-style-type: none"> <li>a. Open valve and allow water to fill tank.</li> <li>b. Follow instruction to adjust flush actuator.</li> <li>c. Shut off water supply, disconnect supply line, and inspect all gaskets and washers. Reassemble.</li> <li>d. Check trip lever, linkage, and spring rod assemblies for damage.</li> </ul>
Poor or sluggish flush	<ul style="list-style-type: none"> <li>a. Supply valve partly closed.</li> <li>b. Plugged inlet strainer.</li> <li>c. Supply pressure too low.</li> <li>d. Partially clogged trapway and/or drain pipe and/or vent.</li> <li>e. Malfunctioning pressure regulator.</li> </ul>	<ul style="list-style-type: none"> <li>a. Open supply valve fully. Be sure that proper supply tube size is used.</li> <li>b. Remove and clean strainer per enclosed instructions</li> <li>c. Normal supply pressure must be at least 20 psi.</li> <li>d. Remove obstruction. Consult a plumber if necessary.</li> <li>e. Replace lower supply assembly.</li> </ul>
Toilet leaks	<ul style="list-style-type: none"> <li>a. Poor supply line connection.</li> <li>b. Poor bowl to tank/floor connection.</li> </ul>	<ul style="list-style-type: none"> <li>a. Review Step 9 of installation procedure.</li> <li>b. Review Step 4 through 7 of installation procedure.</li> </ul>
Toilet does not shut off	<ul style="list-style-type: none"> <li>a. Supply pressure too low.</li> <li>b. Flush actuator incorrectly set.</li> </ul>	<ul style="list-style-type: none"> <li>a. Normal supply pressure must be at least 20 psi.</li> <li>b. Follow instructions to adjust flush actuator.</li> </ul>

### AMERICAN-STANDARD ONE-YEAR LIMITED WARRANTY

If inspection of this American-Standard plumbing product, within one year after its initial installation, confirms that it is defective in materials or workmanship, American-Standard will repair or, at its option, exchange the product for a similar model.

This warranty **does not apply** to local building code compliance. Since local building codes vary considerably, the purchaser of this product should check with a local building or plumbing contractor to insure local code compliance before installation.

This warranty **shall be void** if the product has been moved from its initial place of installation; if it has been subjected to faulty maintenance, abuse, misuse, accident or other damage; if it was not installed in accordance with American-Standard's instructions; or if it has been modified in a manner inconsistent with the product as shipped by American-Standard.

American-Standard's option to repair or exchange the product under this warranty does not cover any labor or other costs of removal or installation, **nor shall American-Standard be responsible for any other incidental or consequential damages attributable to a product defect or to the repair or exchange of a defective product, all of which are expressly excluded from this warranty.** (Some states or provinces do not allow the exclusion or limitation of implied warranties, so this exclusion may not apply to you.)

This warranty gives you specific legal rights. You may have other statutory rights that vary from state to state or from province to province, in which case this warranty does not affect such statutory rights.

For service under this warranty, it is suggested that a claim be made through the contractor or dealer from or through whom the product was purchased, or that a service request (including a description of the product model and of the defect) be sent to the following address:

**In the United States:**  
American Standard Inc.,  
P.O. Box 8305  
Trenton, New Jersey 08650  
Attention: Director of Consumer Affairs

**In Canada:**  
American-Standard,  
2480 Stanfield Road  
Mississauga, Ontario  
Canada L4Y 1S2

**In Mexico:**  
Customer Service Manager  
Ideal Standard, S.A. de C.V.  
Via Morelos #330  
Col. Santa Clara  
Ecatepec 55540 Edo. Mexico

For residents of the United States, warranty information may also be obtained by calling the following toll free number: (800) 223-0068

Toll Free: (800) 387-0369  
Toronto Area: (905) 949-4800