

caroma®



**Caravelle Smart One Piece
1.28/0.8 gpf (4.8/3 lpf) Easy
Height Elongated Toilet
#989900**

Vitreous China Dual Flush
High Efficiency (HET),
One Piece Ultra Low Flush
(ULF) Washdown Toilet.

**PLUMBERS INSTALLATION INSTRUCTIONS. PLEASE
READ CAREFULLY BEFORE INSTALLATION.**

Rough in:

It is possible to fix the toilet into 10" (255mm) or 12" (305mm) rough in positions by rotating the offset adaptor.

IMPORTANT:

Reducing wax ring **MUST NOT** be used when installing this toilet bowl as detailed in Fig.2.

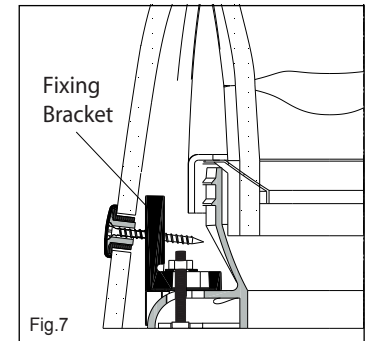
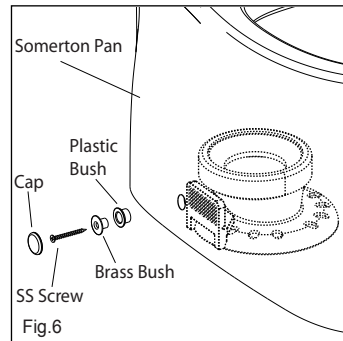
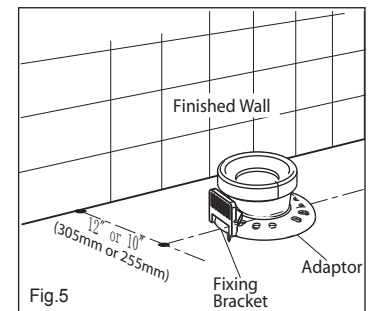
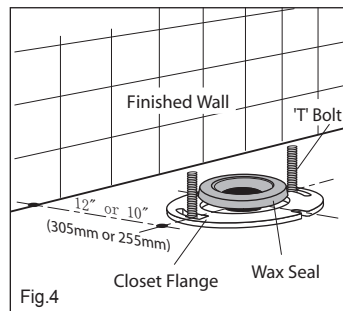
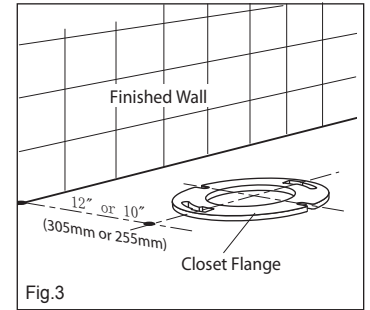
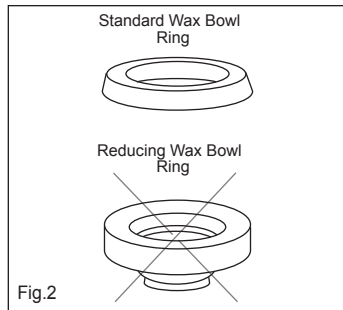
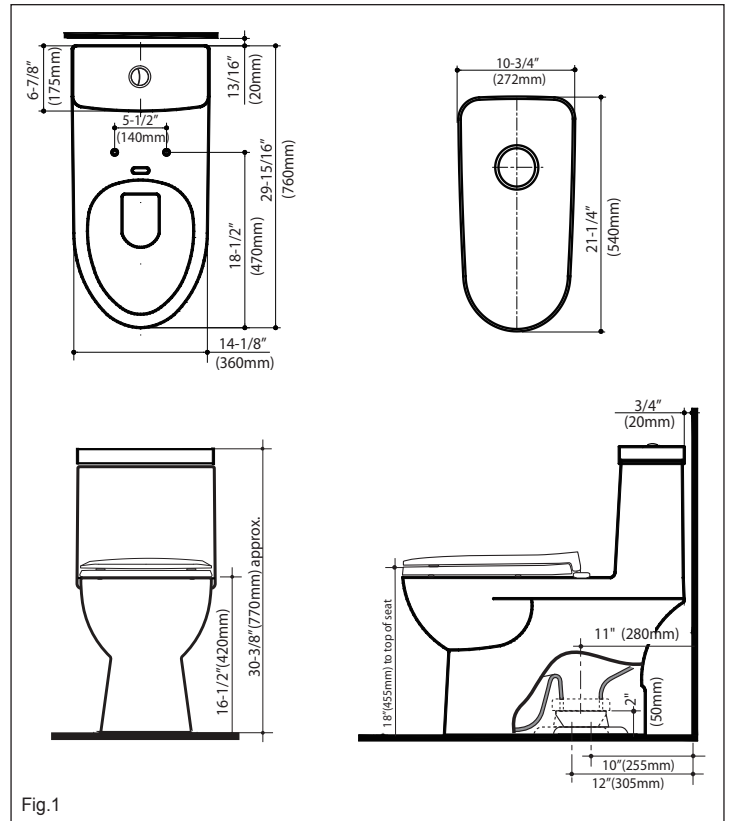
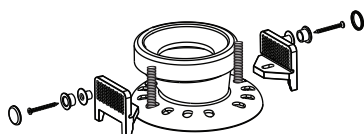
Working Water Pressure:

USA & Canada: Recommended working water pressure is 20-80psi (140-550Kpa).

Installation Procedure:

1. It is important for the installation of Caravelle Smart 1 PC Washdown toilet that the closet flange be accurately set out from the finished wall as detailed in Fig.3.
2. Position wax seal and offset adaptor onto "T" bolts as detailed in Fig. 4 and 5, ensuring that the offset adaptor is positioned for 10" (255mm) or 12" (305mm) rough in as detailed in Fig.1.
3. Place fixing bracket onto "T" bolt and secure it by hand tightening nuts and washers onto the "T" bolts. Apply an additional turn for final installation as detailed in Fig.5.
4. Ensure that the area around the closet bowl is clean and free from building materials.
5. Accurately align the closet bowl over the offset adaptor and lower into position.
6. It is recommended that a bead of silicone caulking is applied fully around base of the closet bowl.
7. Remove any excess silicone caulking.
8. Insert the plastic bushing and brass bushing into the Bowl fixing hole as shown in Fig.6. Secure the bushings through the holes in fixing bracket with SS screws as shown in Fig. 7. Cover the holes with caps.

Fixing Bracket Assembly





Caravelle Smart One Piece 1.28/0.8 gpf (4.8/3 lpf) Easy Height Elongated Toilet Vitreous China Dual Flush High Efficiency (HET), One Piece Ultra Low Flush (ULF) Washdown Toilet #989900

9. Connect water supply to inlet valve connection end as detailed in Fig.8 and check operation.

Note: Tapered rubber seal and wing nut assembled at inlet valve connection end if for 3/8" hard tube/pipe connection. Remove them if 7/8" ballcock braided hose is used.

All measurements are subject to accepted manufacturing tolerances. To ensure complete accuracy, please check actual product dimensions before drilling for installation.

The manufacturer reserves the right to change specifications at any time without giving prior notification.

This product should be installed by a qualified plumber. Local authority, Water Board, and Building Regulations may apply to the installation of this product, and you should consult the appropriate bodies on these requirements. Failure to comply may invalidate the product warranty.

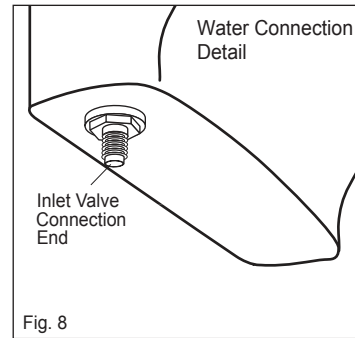


Fig. 8

Tank Spare Parts

Inlet Valve Replacement Parts

Code	Part Description
30835-1	Rubber Gasket
B3300-MA TOP	Inlet Valve Floater TOP
B3300-MA	Inlet Valve

Outlet Valve Replacement Parts

Code	Part Description
30795	Outlet Valve Diaphragm Seal
30296-2	Rubber Seal
B4910T-U	Outlet Valve 1.28/0.8 Gal (4.8/3 L)

CLEANING INSTRUCTIONS FOR VITREOUS CHINA:

To preserve the glazed surface, this toilet should be cleaned only with a mild household detergent or warm soapy water. Do not use any abrasive cleaners in the tank or bowl as this can damage the glazing.

For spare parts contact:



SUSTAINABLE SOLUTIONS INTERNATIONAL

Under license from Caroma Industries Limited, Australia
 Manufactured by SSI Sustainable Solutions International
 Los Angeles, CA + Vancouver, BC

Telephone: (604) 430.2020

Fax: (604) 430.5050

Toll Free: (800) 460.7019

info2013@sustainablesolutions.com

www.caromausa.com www.sustainablesolutions.com

